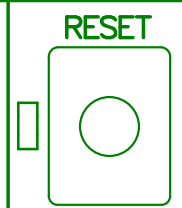
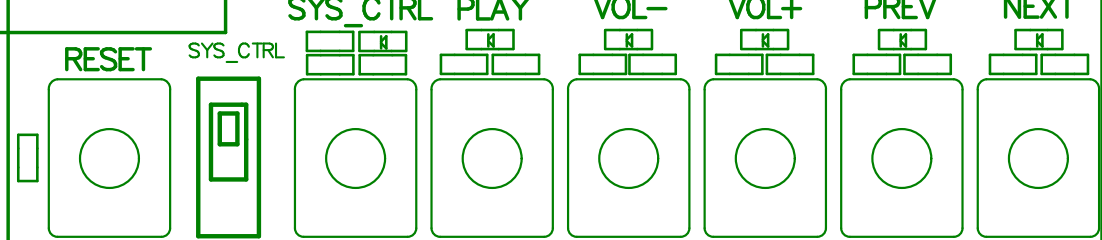
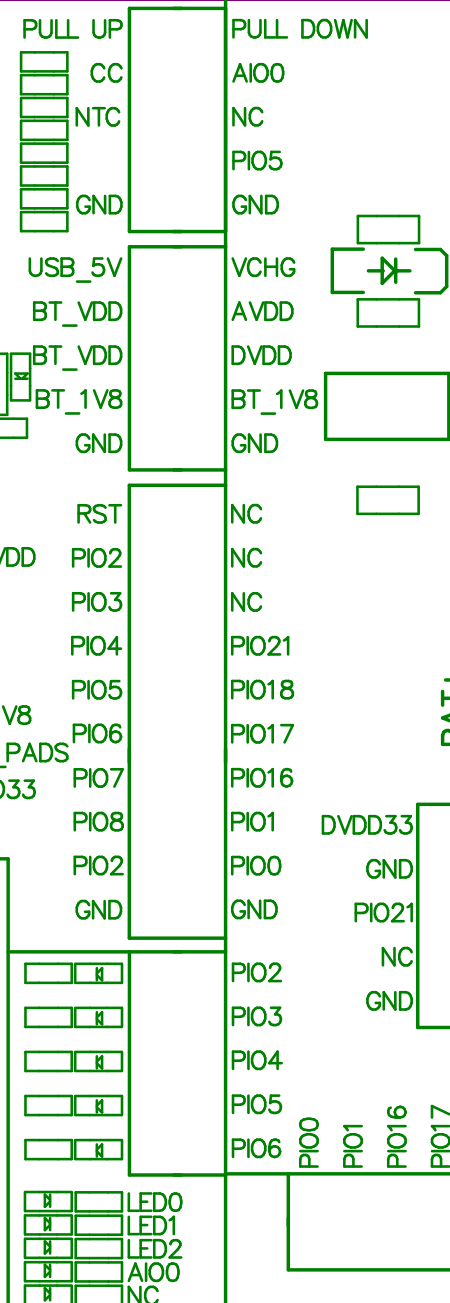


	QCC514x	QCC304x	QCC512x	QCC3031
PI020*	PI020	NC	NC	
PI060*	PI060	NC	NC	
PI041*	PI010	PI061	PI022	
PI042*	PI011	PI060	PI023	
PI045*	PI014	PI054	NC	
PI044*	PI013	PI053	NC	
PI043*	PI012	PI052	NC	
PI040*	PI09	PI021	PI021	
PI021*	PI021	PI020	PI020	



JLCJLCJLCJLC

TRB

VDD_PADS
DVDD33
PI02
PI08
GND

PI02
PI03
PI04
PI06
GND

BAT+

BAT+

USB
BT_VDD
BAT

BT_1V8
VDD_PADS
DVDD33

Bluetooth Module

MIC_AN
MIC_AP
MIC_BN
MIC_BP
GND

SPK_AN
SPK_AP
SPK_BN
SPK_BP
GND

PI09
PI05
PI03
PI04
GND

MCK
BCK
DATA
LRCK
GND

SPDIF_VDD1
SPDIF_VDD2
SPDIF_OUT
SPDIF_IN
GND

AUX_DET
SPK_EN
NFC
IR
GND

AUX_IN

AUX_OUT

I2S_DAC_OUT

OPT_OUT

OPT_IN

NFC



PIO2
PIO3
PIO4
PIO5
RST
MFB

